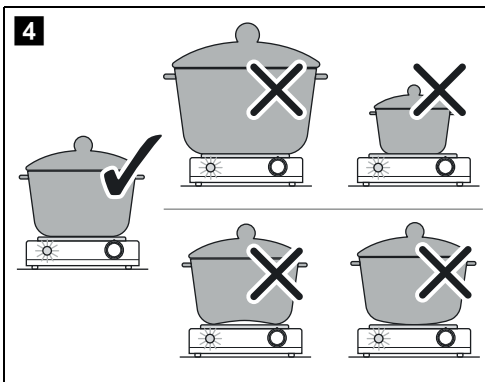
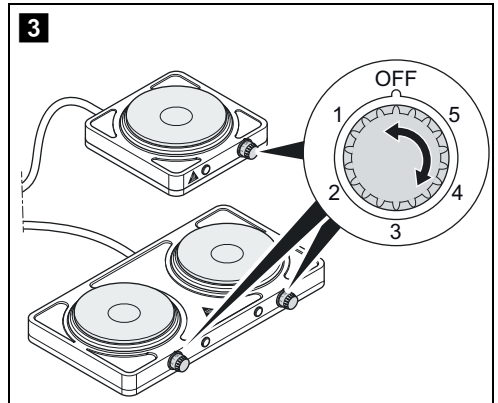
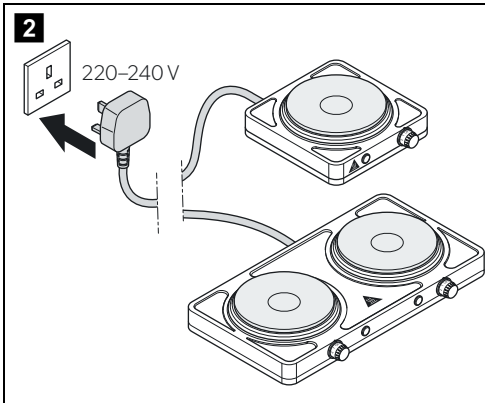
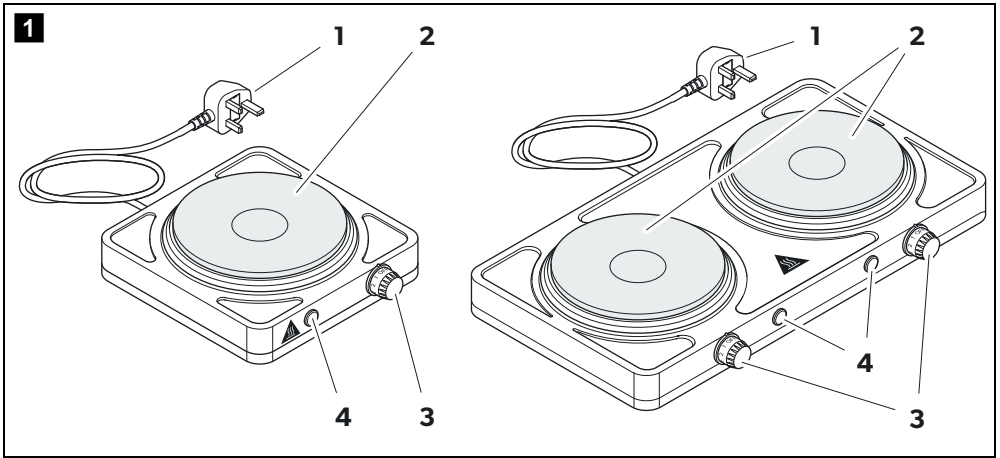


Single Electric Hob, Double Electric Hob

EN

Electric hob
Operating manual

© 2021 Dometic Group. The visual appearance of the contents of this manual is protected by copyright and design law. The underlying technical design and the products contained herein may be protected by design, patent or be patent pending. The trademarks mentioned in this manual belong to Dometic Sweden AB. All rights are reserved.



Please read these instructions carefully and follow all instructions, guidelines, and warnings included in this product manual in order to ensure that you install, use, and maintain the product properly at all times. These instructions **MUST** stay with this product.

By using the product, you hereby confirm that you have read all instructions, guidelines, and warnings carefully and that you understand and agree to abide by the terms and conditions as set forth herein. You agree to use this product only for the intended purpose and application and in accordance with the instructions, guidelines, and warnings as set forth in this product manual as well as in accordance with all applicable laws and regulations. A failure to read and follow the instructions and warnings set forth herein may result in an injury to yourself and others, damage to your product or damage to other property in the vicinity. This product manual, including the instructions, guidelines, and warnings, and related documentation, may be subject to changes and updates. For up-to-date product information, please visit kampaoutdoors.com.

Explanation of symbols



WARNING!

Safety instruction: Indicates a hazardous situation that, if not avoided, could result in death or serious injury.



CAUTION!

Safety instruction: Indicates a hazardous situation that, if not avoided, could result in minor or moderate injury.



NOTICE!

Indicates a situation that, if not avoided, can result in property damage.



CAUTION! Hot surface

Indicates that the marked item may be hot and should not be touched.

Safety instructions



WARNING! Failure to obey these warnings could result in death or serious injury.

Electrocution hazard

- Do not operate the hob if it is visibly damaged.
- If this hob's power cable is damaged, it must be replaced by the manufacturer, a service agent or a similarly qualified person in order to prevent safety hazards.
- This hob may only be repaired by qualified personnel. Improper repairs can lead to considerable hazards.

- Make sure the power supply is the same as the one on the nameplate.
- Avoid the power cable, plug or other electrical part to get contact to water or any other liquid.
- Do not allow the power cable to get in touch with any hot surface of the hob.

Health hazard

- This device can be used by children aged from 8 years and above and persons with reduced physical, sensory or mental capabilities or lack of experience and knowledge if they have been given supervision or instruction concerning use of the device in a safe way and understand the hazards involved.
- Children shall not play with the device.
- Cleaning and user maintenance shall not be made by children without supervision.
- Close supervision is necessary when the hob is used by or near children.

Fire hazard

- When positioning the device, ensure the power cable is not trapped or damaged.
- The hob is not intended to be operated by means of an external timer or separate remote-control system.



NOTICE! Damage hazard

- Check that the voltage specification on the type plate corresponds to that of the energy supply.
- The device shall not be exposed to rain.

Intended use

The hob is intended for heating and cooking food with suitable cooking utensils placed on it. This hob is suitable for domestic use only.

This product is only suitable for the intended purpose and application in accordance with these instructions.

This manual provides information that is necessary for proper installation and/or operation of the product. Poor installation and/or improper operating or maintenance will result in unsatisfactory performance and a possible failure.

The manufacturer accepts no liability for any injury or damage to the product resulting from:

- Incorrect assembly or connection, including excess voltage
- Incorrect maintenance or use of spare parts other than original spare parts provided by the manufacturer
- Alterations to the product without express permission from the manufacturer
- Use for purposes other than those described in this manual

Kampa reserves the right to change product appearance and product specifications.

Technical description

Depending on the model, the hob is designed with one or two cooking plates. The temperature can be adjusted using the temperature control knob. The indication light turns on when the hob is heating. The indication light is turned off when the set temperature is reached.

Product overview

No. in fig. 1	Designation
1	Plug (BS1363)
2	Cooking plate
3	Temperature control knob
4	Indication light

Using the hob



WARNING! Fire hazard

- Do not leave the hob unattended, especially when oil is to be heated.
- Always turn the temperature control knob off and unplug the hob from the socket when the hob is not in use.



CAUTION! Health hazard

Do not touch the surface of the cooking plate. The temperature of accessible surfaces may be high during or after operation of the hob.

Connecting (fig. **2**)

1. Place the hob on a stable horizontal surface, for example on a table, but away from any other source of heat.
2. Insert the plug into the socket.

Before first use

1. Clean the hob with a soft, damp cloth.
2. Turn the temperature control knob to the maximum position for 3 to 5 minutes without cooking utensils on the plate to protect the coating.

Setting the temperature (fig. **3**)

- ▶ Turn the temperature control knob to the desired position.
- ✓ The indication light turns on when the hob is heating.
- ✓ The indication light is turned off when the set temperature is reached.

Using cooking utensils (fig. **4**)

Disconnecting and storing

- ▶ Unplug the hob from the socket.



CAUTION!

Ensure that the hob cools down completely before storing.

Cleaning and maintenance



WARNING!

Unplug the hob from the socket before cleaning and maintenance.



NOTICE!

Do not use sharp or hard objects or cleaning agents for cleaning as these may damage the product.

- ▶ Clean the hob with a soft cloth and mild cleaning agent.

Warranty

The statutory warranty period applies. If the product is defective, please contact the manufacturer's branch in your country (see kampaoutdoors.com/store-locator) or your retailer.

For repair and warranty processing, please include the following documents when you send in the device:

- A copy of the receipt with purchase date
- A reason for the claim or description of the fault

Disposal

► Place the packaging material in the appropriate recycling waste bins, wherever possible.



If you wish to finally dispose of the product, ask your local recycling center or specialist dealer for details about how to do this in accordance with the applicable disposal regulations.

Technical data

	Single Electric Hob	Double Electric Hob
Connection voltage:	220 – 240 V	
Power consumption:	1500 W	1500 W + 1000 W
Dimensions H x W x D:	75 x 205 x 205 mm	70 x 430 x 220 mm
Weight:	1.4 kg	2.8 kg



Together outdoors

kampaoutdoors.com

Part of the Dometic Group

We distribute our products in around 100 markets. Please ask for your contact point or check the web. kampaoutdoors.com

Manufacturer: Dometic UK Awnings Limited, Witham, Essex, UK

Importer EU: Dometic Germany GmbH, Hollefeldstraße 63, 48282 Emsdetten, Germany